

OSTRICH 1 (O1)

Available In: Panels

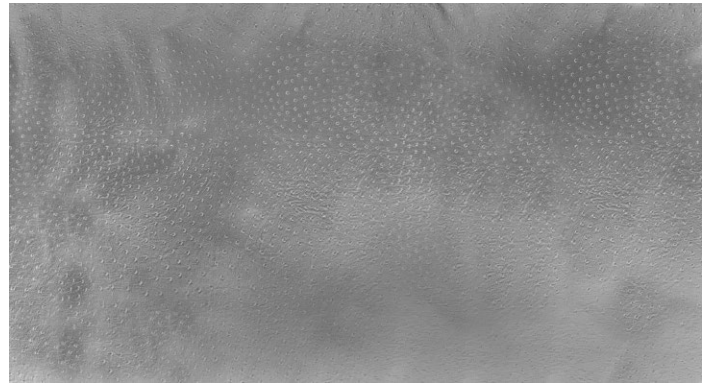
Noticeable Matchline: N/A

Directional: No

Plate Dimensions: 47 1/2"W x 25 1/2"H

25 1/2"

47 1/2"



Direction of pattern on plate. Not to scale.



Pattern and color shown at actual scale.

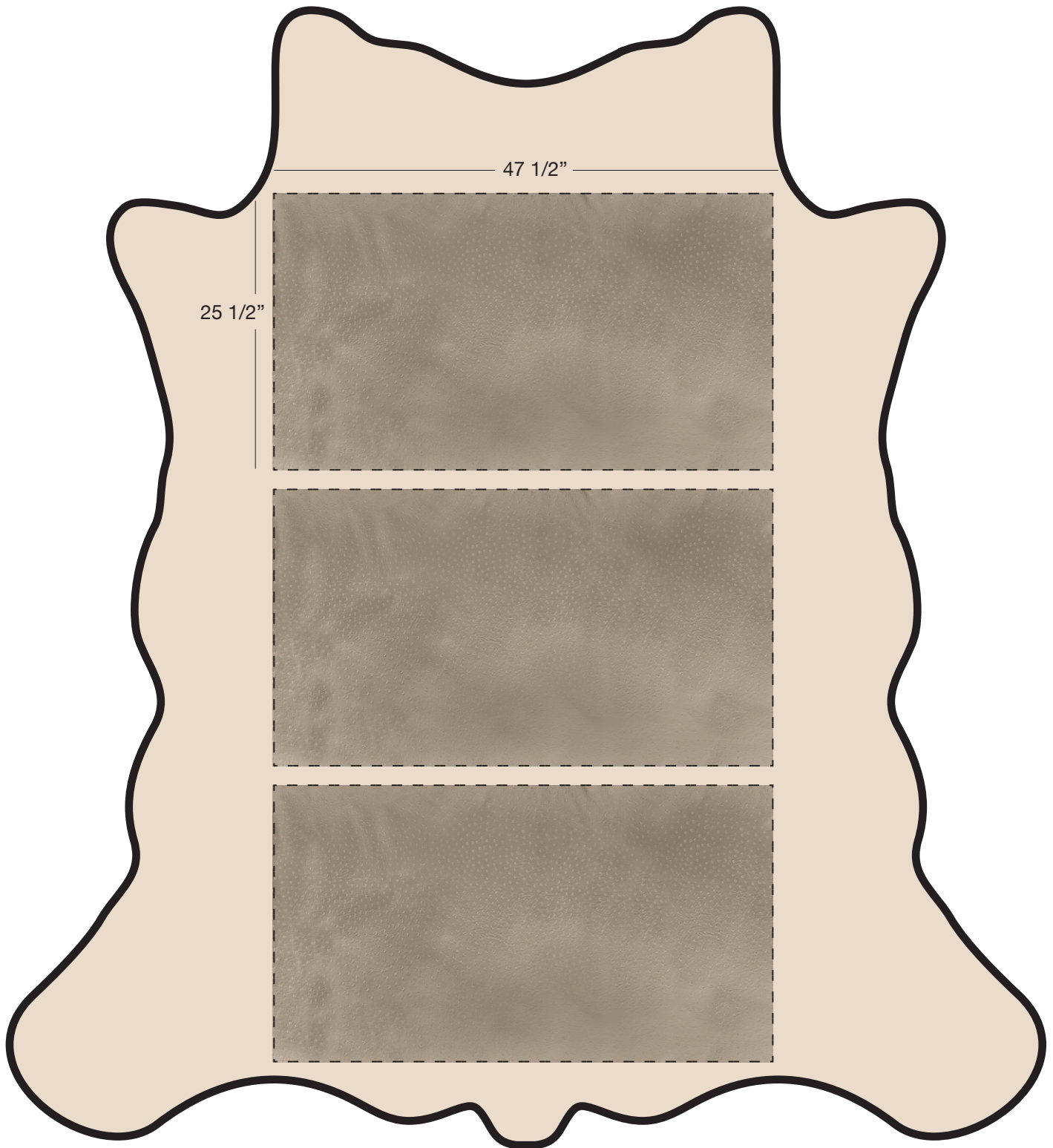
www.townsendleather.com

EXOTIC ANIMAL

Pre-Cut Panels

47 1/2"W x 25 1/2"H

OSTRICH 1 (01)



Ostrich 1 pattern is available in pre-cut 47 1/2"W x 25 1/2"H panels, as shown above.

Minimum order is 3 panels. Townsend Leather recommends adding an additional 2" of leather to your embossing panel for wrap and upholstery, however if you need more for unique applications, please discuss with your Townsend Leather Representative for exact requirements.



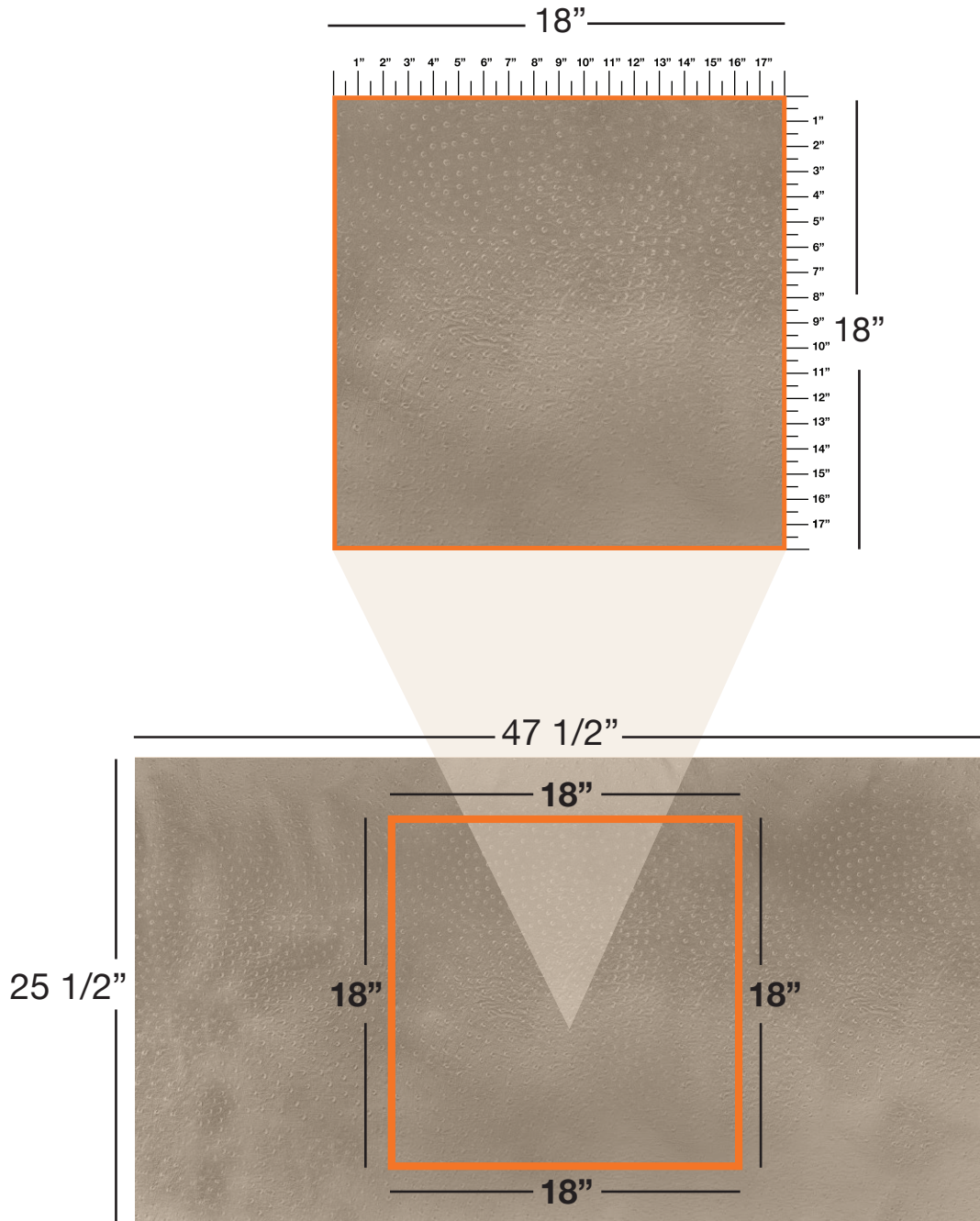
EXOTIC ANIMAL

Pre-Cut Panels

47 1/2"W x 25 1/2"H

OSTRICH 1 (01)

Pattern Repeat



The above layout is to show scale and pattern repeat. A pattern repeat refers to the amount of space from where a pattern begins and then begins again. This repeat can occur both on the vertical and horizontal plane. In the top 18"X18" box, we have included additional internal measurements so you can better understand the pattern repeat of the design shown, both vertically and horizontally.



EXOTIC ANIMAL